

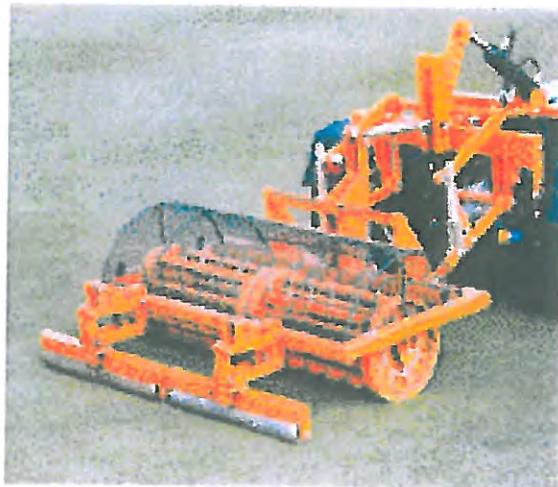


World-class turf maintenance equipment

# OPERATING INSTRUCTIONS

## 4ft MULTI-TINER

MACHINE REFERENCE	MT/4
including optional swath boards variable pressure frame	MT/SB VPF
SERIAL NUMBER	.....
CN CODE	8432 29 10



SISIS, Ashbourne Road, Kirk Langley, Derbyshire, DE6 4NJ, England  
Tel. +44 (0) 1332 824 777 | Fax: +44 (0) 1332 824 525 | Email: [info@sisis.com](mailto:info@sisis.com) | [www.sisis.com](http://www.sisis.com)

A division of Howardson Ltd - a proudly British company  
Company reg no 641526 - Vat No GB 345 9918 12

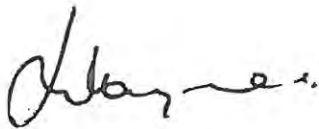
# EC DECLARATION OF CONFORMITY

We the undersigned

SISIS EQUIPMENT (Macclesfield) LIMITED

Certify that the	Aerator
Make	SISIS
Type	MultiTiner
Series	MT/4
Conforms to EC Directives and amendments	2006/42/EC
Standard	BS7370

**This certificate applies only to NEW equipment supplied  
by SISIS or our authorised dealer**



J.W. Hargreaves  
Director

Certificate Number  
CEFS546

*PLEASE READ THE FOLLOWING INSTRUCTIONS CAREFULLY BEFORE USING THIS IMPLEMENT*

We want you to obtain the best performance from this machine. If you have any difficulty after reading these operating instructions, please contact us or your local SISIS Territory Manager or SISIS Dealer.

The SISIS MULTI-TINER is the successor to the popular fine turf aerator FTA/4, redesigned to give longer working life and ease of use, plus improvements such as 3 point linkage, built in weight frame and removable pressure rollers. At 6.5 kh (4mph) it is possible to aerate an area of 8092 sq.mtrs (9680 sq.yds) in one hour.

## DESIGN FEATURES

The SISIS MultiTiner consists of 2 drums which rotate independently on steel ball bearings. The drum sideplates are made from cast iron while the tine bars and main shaft are of steel. Each sprung tine bar rotates on nylon bearings and the ties exit the ground at the correct angle, giving minimum surface disturbance.

The guard is easily removed by 4 quick release clips to give access for tine replacement.

Tines are easily fitted by means of quick release pins and clips.

The MultiTiner is fitted with a sprung pressure roller which follows contours in both planes and ensures a clean surface finish with solid and slitting tines. The pressure roller **MUST** be removed when using hollow coring tines.

The frame is of robust construction and has built in 3 point linkage and weight bar attachment. Weights may be added to increase tine penetration in hard ground conditions.

The SISIS Variable Pressure Frame is also available to add tractor weight to the implement if necessary.

## SAFETY

### ALWAYS

read the operating instructions carefully and understand the controls before commencing work

be extra careful when using petrol or diesel fuel.  
**DANGER** no smoking or naked lights

before starting work visually check machines for damage or wear to working parts such as blades or tines

use safety guards and make sure they are correctly in position. they are supplied for your protection

watch out for children or pedestrians. always look behind before starting to reverse.

switch off the power before making adjustments or repairs and never lift or carry a machine whilst any parts are moving.

### DO NOT

allow any unauthorised person to handle machine in any way at any time

## PTO DRIVES FROM TRACTORS

many tractors now have multi speed PTO systems. take special care that the PTO speed selected is suitable for the implement being used e.g. never use 1000rpm on an implement designed for 540rpm

never operate PTO shafts at extreme angles and take particular care to avoid high linkage lift positions with the PTO in operation. ie at the end of working runs.

before attaching or adjusting PTO driven implements always stop the engine and disengage the PTO drive

## TRACTOR REQUIREMENTS

Ensure that tractor has sufficient lift capabilities. Front weights may need to be fitted to some tractors.

## ASSEMBLY

Your SISIS MultiTiner will be supplied without tines fitted. Remove the mesh guard, by removing the 4 'R' clips and washers on either side of the guard frame. The drilled ends of the tines should be inserted in the large holes in the tine bars and secured with the pins and clips provided. It is essential that the coring tines are fitted with the open side towards the rear of the implement for correct operation and clean ejection of the cores. When using coring tines, whether a swath board is fitted or not, the rear pressure rollers must be removed. This is done by removing the 4 bolts and nuts securing the rollers to the frame. Item 3 on the drawing.

**FITTING SWATH BOARDS**

To fit swath boards, fit angle bracket item 1, to box section on main frame, with bolts and nuts provided. Fit boss, item 2, over studs on either side of main frame, item 2, with washers and 'R' clips provided. Then lock at the required height using hand screw and hand nut, item 3.

**TINES**

**Coring Tines                      Autumn**

Remove cores of soil to relieve compaction caused by play and rolling or to make soil exchange.

**Slitting Tines    Autumn & Spring**

Encourages new root growth and permits the entry of fertilisers and dressings.

**Round Pointed Tines    Summer**

Help moisture and air to get to the grass roots during the growing season, particularly useful for very hard conditions.

**IMPORTANT**

Clean and oil all tines after use, making sure that hollow tines are cleaned inside. Lubricate the tine bar pivot bushes periodically with a few drops of oil at each end of the square section of each bar.

**CONNECTION TO THE TRACTOR**

Mount the machine on the tractor 3 point linkage. Make sure stabilisers are fitted. Adjust the top link so that the implement frame is parallel to the ground. Raise the implement and retract the drop leg stand behind the implement. Make sure that the frame is horizontal to the ground so that an even depth is maintained across the tines width. Make sure that the implement can be lifted high enough to clear the ground in transport, particularly in undulating conditions.

**OPERATING**

If possible do a trial run on an adjoining grass area such as a fairway, to get a polish on the tines and to ensure that the top link setting is correct for optimum results and to avoid damage to the tines. Use the low speed on the tractor gearbox and lower the implement to the surface. Adjust the forward speed to obtain the desired results.

Weights are available from SISIS. These have been designed to fit over the weight bar without the need to secure them to the frame. Each weight weighs 13.5 kilos (26.5lbs).

**TRANSPORT**

Never roll the implement on a solid surface such as concrete. This will cause damage to the tines. Always ensure that you have enough ground clearance before driving up ramps or low loaders.

**SPECIFICATION**

Model reference	MT/4	
Overall width	133cm	4ft 4ins
Working width	112cm	3ft 8ins
Length	111cm	3ft 7ins
Height	89cm	2ft 11ins
Number of tines	96	
	7.6cm or 10cm	3ins or 4ins
	solid, slitting, hollow	
SISIS Weights	13.5kilos	26.5lbs

<b>SISIS CONTACT NUMBERS</b>	
Sales	01625 503030
Purchasing	01625 505992
Accounts	01625 505995
Fax all departments	01625 427426
Email all departments	info@sisis.com
Website	www.sisis.com

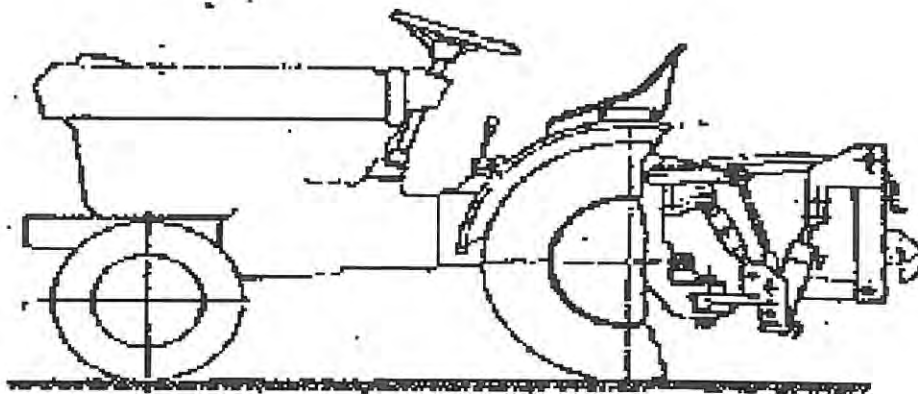
**OPTIONAL SISIS VARIABLE PRESSURE FRAME  
model reference VPF**

Other variable pressure frame available from SISIS to suit the following:-

Iseki VPF/318	Model TU328	Ford VPF/F1520	Model 1520
VPF/1320	Model 1320	VPF/F15/1720	Model 1520/1720
Kubota VPF/K7100	Model B7100	Massey Ferguson VPF/MF1020	Model MF1020
VPF/K7200	Model B7200	Cushman VPF/C	pre 1992
VPF/K1750	Model 1750	VPF/C	post 1992
VPF/K1550	Model 1550		
VPF/K2150	Model 2150		
John Deere VPF/JD			

OTHERS AVAILABLE ON REQUEST

tractor illustrated .. .. Iseki 318





# sisis

## PARTS LIST & DRAWINGS

### 4ft MULTI-TINER

MACHINE REFERENCE	MT/4
including optional swath boards variable pressure frame	MT/SB VPF
SERIAL NUMBER	.....
CN CODE	8432 29 10

---

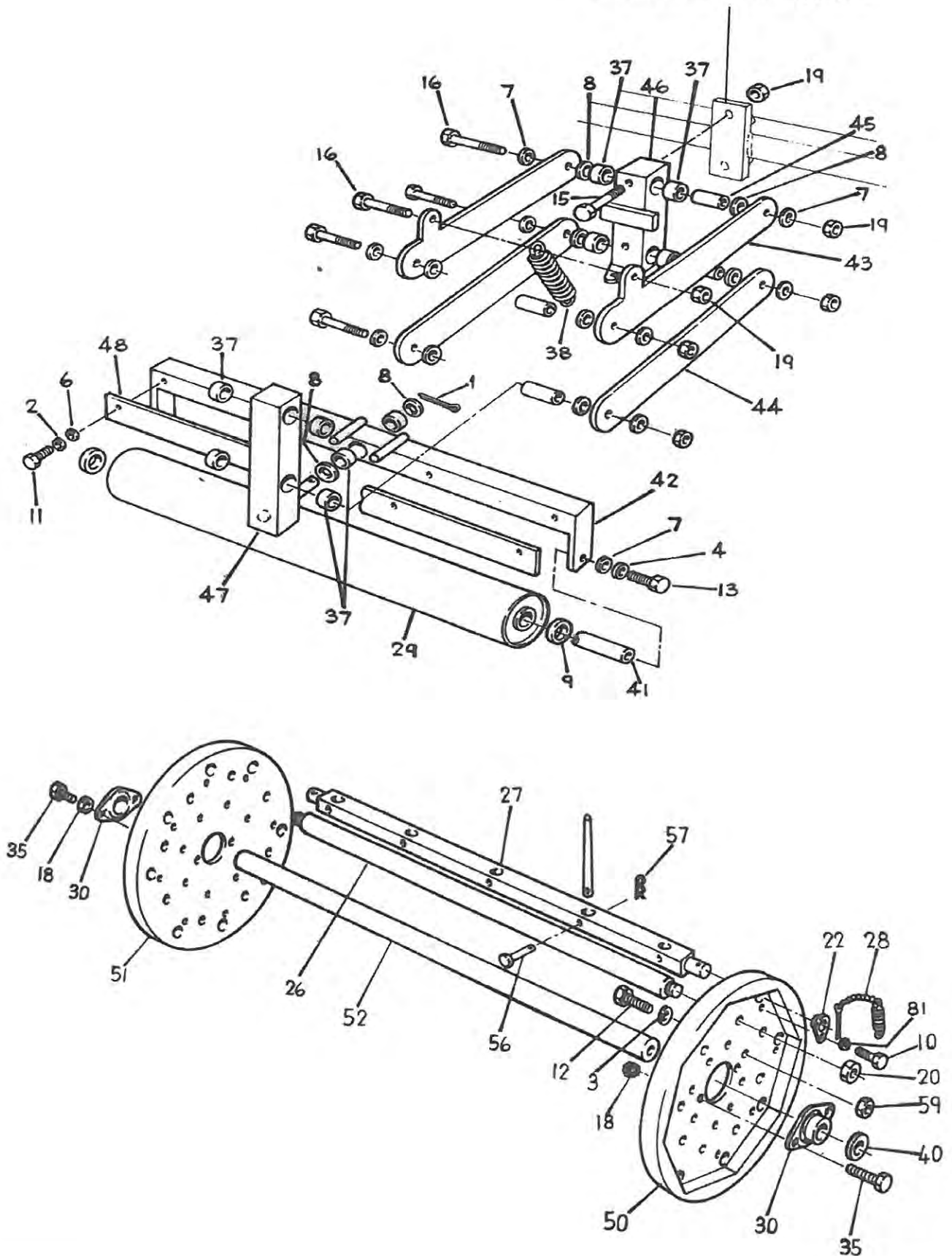
SALES/SPARES 01625 503030  
Website [www.sisis.com](http://www.sisis.com)

## GENERAL ASSEMBLY

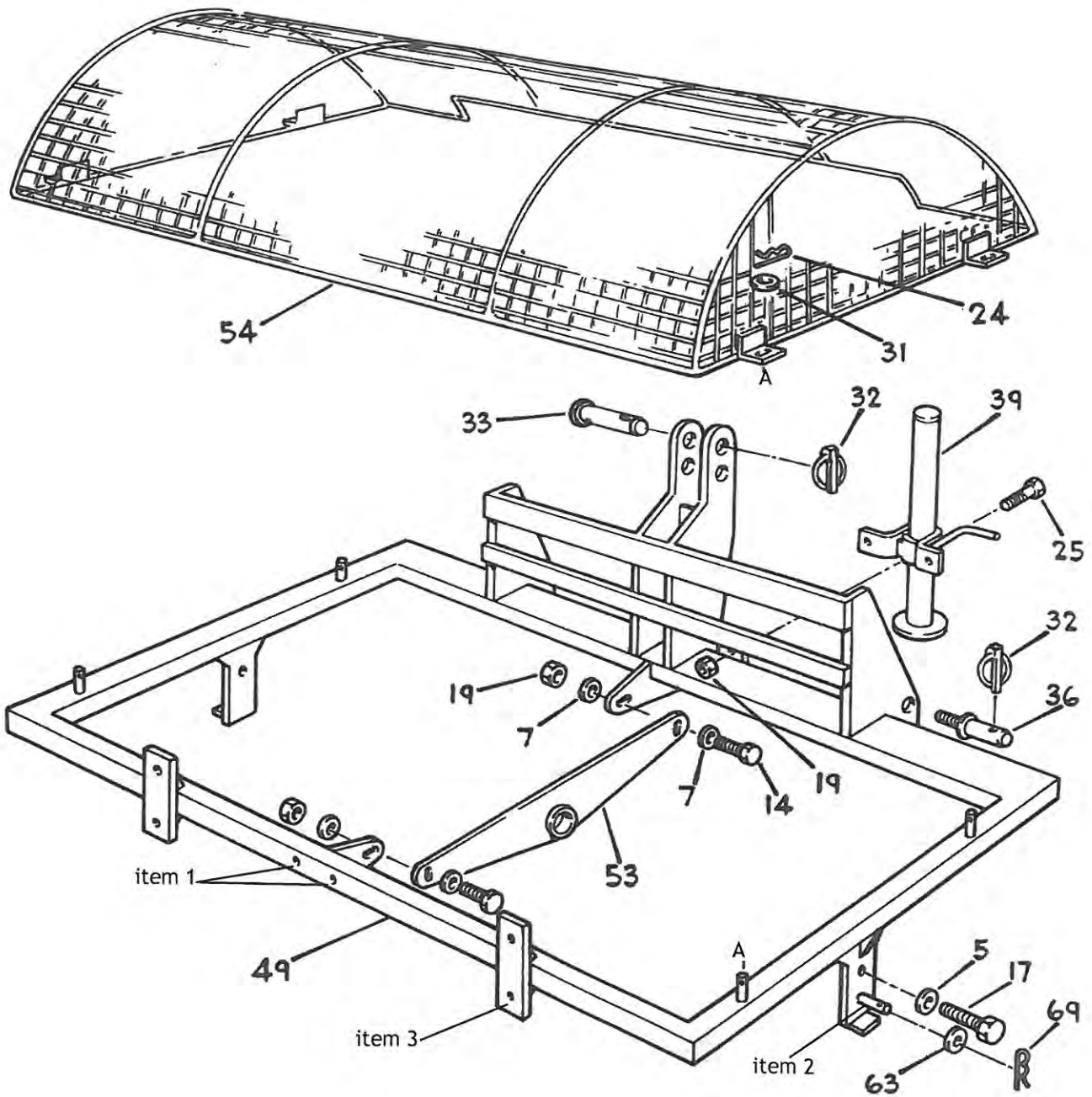
<i>item</i>	<i>part</i>	<i>description</i>	<i>qty</i>	<i>item</i>	<i>part</i>	<i>description</i>	<i>qty</i>
1	1044	split pin	2	56	33212	tine pin	100
2	1/1062	spring washer	8	57	20773	R clip	100
3	1062	spring washer	32	58	20015	small tine box	1
4	1/1063	spring washer	4	59	1220	nyloc nut	32
5	1/1065	spring washer	2	60	1043	split pin	4
6	1/1071	plain washer LP	8	61	1/1073	plain washer LP	2
7	1/1073	plain washer LP	20	62	1/1078	plain washer LP	2
8	1/1080	plain washer HP	20	63	1/1079	plain washer LP	4
9	1/1082	plain washer HP	4	64	1/1132	bolt	2
10	1095	hex head setscrew	32	65	1/1157	setscrew	1
11	1/1095	hex head setscrew	8	66	1/1220	nyloc nut	4
12	1104	hex head setscrew	32	67	1/1223	nyloc nut	2
13	1/1118	hex head setscrew	4	68	1/1228	nyloc nut	1
14	1/1119	hex head setscrew	2	69	1389	retaining pin	2
15	1/1130	hex head bolt	4	70	1/1647	hex head setscrew	4
16	1/1134	hex head bolt	10	71	6429	spacer	1
17	1/1153	hex head setscrew	2	72	6902	hand screw	1
18	1/1220	nyloc nut	8	73	6915	ferrule	4
19	1/1223	nyloc nut	18	74	6916	sidearm	2
20	1/1231	nyloc nut	32	75	6917	scraper RH	1
21	1480	standard nameplate	1	76	6918	scraper LH	1
22	1511	tine bar bearing	32	77	6920	tie bar	1
23	1871	pop rivet	2	78	6923	hand nut	1
24	1900	R clip	4	79	33193	lifting arm	1
25	1951	hex head setscrew	2	80	33194	lifting frame	1
26	6907	stayabr	16	81	1061	spring washer	32
27	6911	tine bar assembly	16				
28	7086	spring and chain assembly	40				
29	7226	roller	2				
30	8032	pressed steel bearing	4				
31	1/1074	washer	4				
32	8326	linch pin and ring	3				
33	8617	top link pin	1				
34	20015	small tine box	1				
35	1/1039	hex head setscrew	8				
36	20327	lower link mounting pin	2				
37	20606	oilite bearing	20				
38	20692	tension spring	2				
39	20723	drop leg assembly	1				
40	31150	spacer	2				
41	32457	roller shaft	2				
42	32458	roller frame	2				
43	32459	top link arm	4				
44	32460	bottom link arm	4				
45	32461	pivot pin	8				
46	32462	pivot bracket	2				
47	32463	roller pivot bracket	2				
48	32464	scraper blade	2				
49	33092	frame assembly	1				
50	33109	sideplate RH	2				
51	33110	sideplate LH	2				
52	33154	shaft	1				
53	33155	support plate	1				
54	33174	guard	1				
55	33227	transfer	1				

PRESSURE ROLLER

for attachment see item 3, page 2







SWATH BOARD ASSEMBLY

