



World-class turf maintenance equipment

OPERATING INSTRUCTIONS

MULTITINER 180

MACHINE REFERENCE	MT/180
SERIAL NUMBER
CN CODE	8432 29 10



SISIS, Ashbourne Road, Kirk Langley, Derbyshire, DE6 4NJ, England
Tel: +44 (0) 1332 824 777 | Fax: +44 (0) 1332 824 525 | Email: info@sisis.com | www.sisis.com

A division of Howardson Ltd - a proudly British company
Company reg no 641526 - Vat No GB 345 9918 12

We want you to obtain the best performance from this machine. If, after reading the following instructions, you still have problems please contact your local SISIS Territory Manager, SISIS Dealer or SISIS Direct.

DESIGN FEATURES

The SISIS MultiTiner 180 consists of 3 drums which rotate independently on sealed ball bearings. The drum sideplates are made from cast iron while the tine bars are made from high carbon steel. Each tine bar rotates on nylon bearings and are sprung to enter and exit the ground at the correct angle giving minimum surface disturbance.

The guard is easily and quickly removed by quick release pins to facilitate changing tines.

OPERATION

CONNECTION TO THE TRACTOR

Mount the machine on the tractor 3 point linkage. Make sure that stabilisers are fitted. Front weights may be needed to counter balance the implement.

Adjust the top link so that the implement frame is parallel to the ground.

Raise the MultiTiner and retract the dropleg. Make sure that the frame is horizontal to the ground so that an even depth is maintained across the tine width. Make sure that the implement can be lifted high enough to clear the ground in transport, particularly in undulating conditions.

REAR ROLLER

The rear roller may be left in the down position to give a striped finish or, if ground conditions are hard, it may be raised and locked in the raised position to add extra weight and aid penetration.

If the MultiTiner is fitted with hollow coring tines, the roller must be in the raised position.

CAUTION the roller must be lifted by at least 2 people



TINES

Your SISIS MultiTiner will be supplied without tines fitted. Remove the mesh guards. The drilled end of the tines should be inserted into the large hole in the tine bars and secured with the stainless steel pins and clips provided.

It is essential that the coring tines are fitted with the open side towards the rear of the implement for correct operation and clean ejection of the cores.

IMPORTANT Clean and oil all tines after use making sure that hollow coring tines are cleaned inside. Lubricate the tine bar pivot bushes periodically at each end of the square section of each bar.

If possible, do a trial run on an adjoining area to get a polish on the tines and to ensure that the top link setting is correct for optimum results and to avoid damage to the tines. Use the low speed on the tractor gearbox and adjust the speed to obtain the desired results.

TRANSPORT

Never roll the MultiTiner on a solid surface such as concrete. This will cause damage to the tines.

Always ensure that you have enough ground clearance before driving up ramps or low loaders.

use safety guards and make sure they are correctly in position. they are supplied for your protection

SAFETY

ALWAYS

read the operating instructions carefully and understand the controls before commencing work

watch out for children or pedestrians always look behind before starting to reverse

be extra careful when using petrol or diesel fuel. DANGER no smoking or naked lights

switch off the power before making adjustments or repairs and never lift or carry a machine whilst any parts are moving

before starting work visually check machines for damage or wear to working parts such as blades or tines






DO NOT

allow any unauthorised person to handle machine in any way at any time

SPECIFICATION

Model reference	MT180	
Overall width	187cm	74ins
Working width	176cm	69ins
Length - roller up	90cm	36ins
Length - roller down	133cm	52ins
Height	89cm	35ins
Weight - including tines	422 kilos	
Tractor requirement	26kw	35hp
Approx ground coverage at	12.8kmph 23,040m ² per hr	8mph 28,160yds ² per hr

INTERCHANGEABLE TINES (set of 120)

	<i>Ref</i>	<i>Description</i>	<i>Max Depth</i>	<i>Usage</i>
	D6728	16mm dia. Tapered solid tine	100mm	Good, general purpose tine suitable for firm, dry conditions
	D2047	7mm dia solid tine	76mm	Fine turf tine, ideal for summer use
	D2048	16mm dia. hollow	76mm	Compaction relief and soil exchange on fine turf, recommended for summer use
	F35967	22mm dia. Jumbo hollow	115mm	High volume soil exchange and thatch removal
	D2109	Flat chisel	100mm	General purpose tine with high wall area of slit. Ideal for winter conditions

sisis

PARTS LIST & DRAWINGS

MULTITINER 180

MACHINE REFERENCE
SERIAL NUMBER

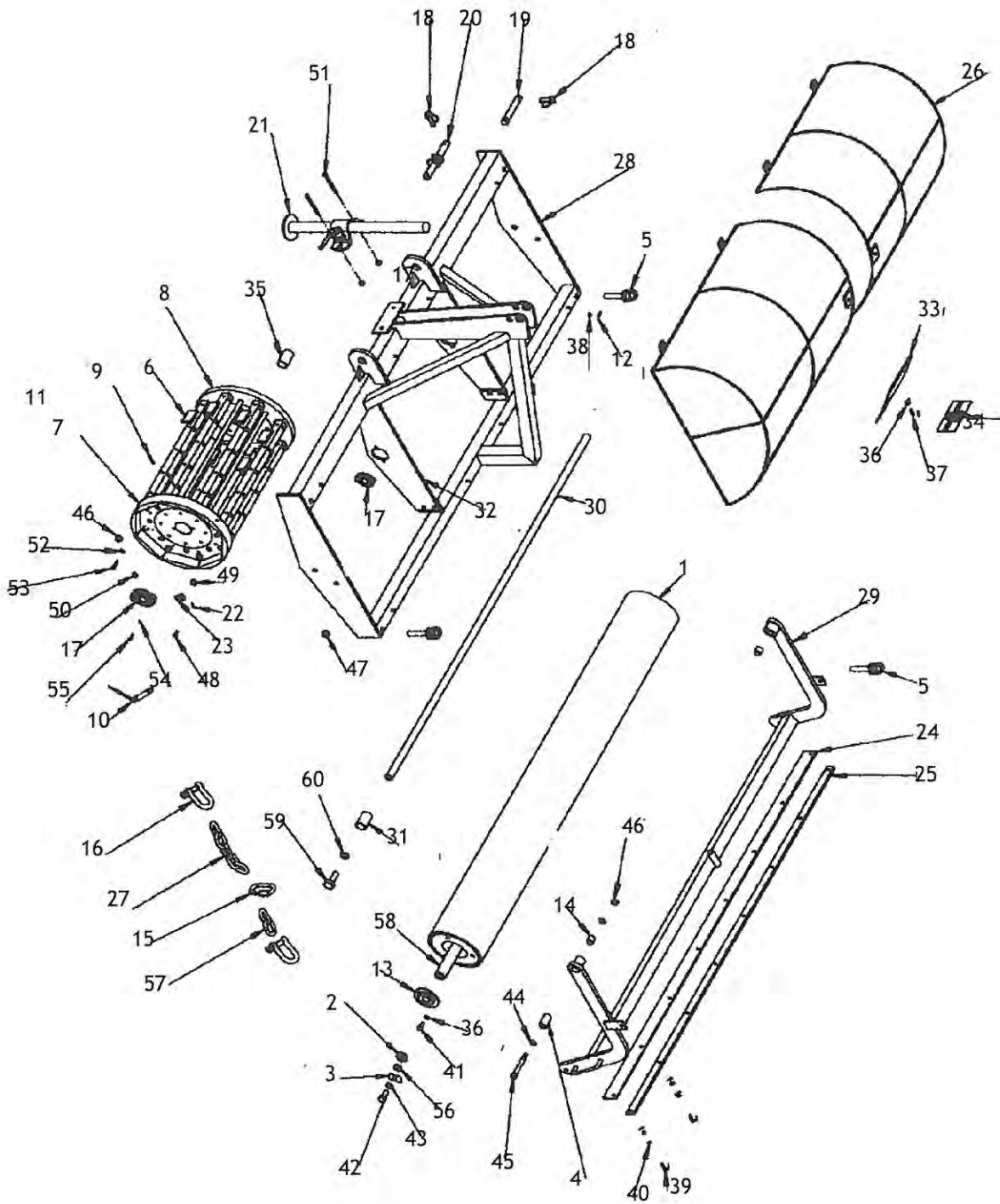
MT/180
.....

CN CODE

8432 29 10

SALES/SPARES 01625 503030

Website www.sisis.com



<i>item</i>	<i>part</i>	<i>description</i>	<i>qty</i>	<i>item</i>	<i>part</i>	<i>description</i>	<i>qty</i>
1	36129	roller	1	57	36964	chain	2
2	6428	spacer	2	58	6544	roller shaft	1
3	33068	tab washer	2	59	1952	setscrew	2
4	37352	pivot pin	2	60	1/1066	spring washer	2
5	34408	eyebolt	6				
6	33583	tine bar	24				
7	33109	RH side plate	3				
8	33110	LH side plate	3				
9	33212	tine pin	122				
10	7086	spring and chain	48				
11	33584	staybar	24				
12	21988	R clip	8				
13	21768	bearing	2				
14	21041	oilite	2				
15	15732	kwik link	4				
16	20995	D shackle	4				
17	8032	bearing	8				
18	8326	linch pin	3				
19	8617	top link	1				
20	15034	lower link dual	2				
21	20723	drop leg assembly	2				
22	20773	R clip	122				
23	1511	nylon bearing	48				
24	37922	roller scraper	1				
25	37921	scraper clamp	1				
26	37924	guard	1				
27	37920	chain	2				
28	37878	carry frame	1				
29	37884	roller frame	1				
30	37882	shaft	1				
31	37881	spacer	4				
32	37879	carry plate	2				
33	37926	plate	1				
34	37925	label	1				
35	37963	spacer	2				
36	1/1063	spring washer	8				
37	1/1117	setscrew	2				
38	1/1072	plain washer	8				
39	1/1106	bolt	8				
40	1/1062	spring washer	20				
41	1/1118	setscrew	6				
42	1/1633	setscrew	2				
43	1/1635	spring washer	2				
44	1/1079	plain washer	4				
45	21035	bolt	2				
46	1/1231	nyloc nut	58				
47	1/1228	nyloc nut	6				
48	1/1202	csk head screw	48				
49	1/1223	nyloc nut	52				
50	D1220	nyloc nut	48				
51	1/1105	setscrew	16				
52	D1062	spring washer	48				
53	D1104	setscrew	48				
54	D1061	spring washer	48				
55	D1096	setscrew	48				
56	1/1083	plain washer	6				

