



World-class turf maintenance equipment

OPERATING INSTRUCTIONS

FLEXIBRUSH

MACHINE REFERENCE	FBR/537
SERIAL NUMBER
CN CODE	9603 5000



SISIS, Ashbourne Road, Kirk Langley, Derbyshire, DE6 4NJ, England.
Tel: +44 (0) 1332 824 777 | Fax: +44 (0) 1332 824 525 | Email: info@sisis.com | www.sisis.com

A division of Howardson Ltd. - a proudly British company
Company reg no 641526 - vat No GB 345 9918 12

We want you to obtain the best performance from this machine. If you have any problem after reading the following instructions, please contact us or your local SISIS Territory Manager or SISIS Dealer.

DESCRIPTION

The SISIS FLEXIBRUSH has been designed for fast, effective brushing on large areas such as golf fairways, school playing fields etc.

The FlexiBrush can be used to brush top dressings into natural or synthetic turf surfaes; to lift the grasses prior to mowing for a better cut; dew dispersal; to give a striped effect on natural turf for improved presentaton. The wide working width ensures a fast work rate.

The FlexiBrush is 5.37m (17ft 6ins) wide and has 6 sets of independently floating "V" section brushes divided into 3 sections which also float. This allows the brush to follow ground contours and gives a better dispersal of the top dressing material.

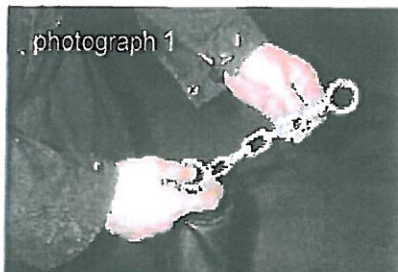
The two outer sections fold for transport and storage.

The FlexiBrush is easy to handle and to attach.

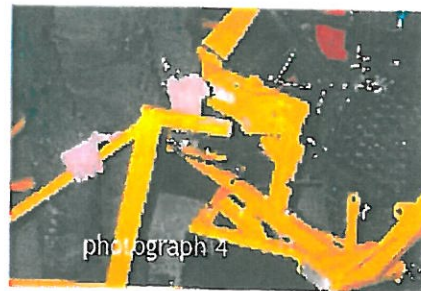
OPERATION

Remove top circllets from chain.

Attach these circllets one each side of the top link on the tractor. Photographs 1, 2 and 3



Connect bottom link arms and top link. Lift brush clear of the ground with the tractor hydraulic and remove stands. Photograph 4



Lift the brush to the maximum on the tractor hydraulics and re-connect the chains to the circllets, which are now on the tractor. (Attach both sides).



Lower the brush to the ground and adjust the check chains on the tractor lift arms. Adjust the top link so that the brush is level with the ground. Ensure that the quick release hydraulic coupling is pushed securely into the female half on the single acting coupling on the tractor. Photograph 5

When on site, before starting the first run, lower the brush to the ground (in float position). Ensure there are no obstacles to the right and left of the brush arms. Switch off the tractor engine.

Whilst supporting the brush arm on one side, pull

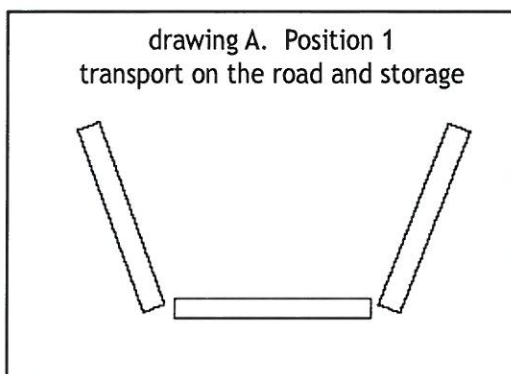


the pins out of the transport brackets, photograph 6, and replace them through the rams with the clips and pins, photograph 7.

By hand, lower the brush to the ground, while supporting the weight of the brush arms (repeat on opposite side).

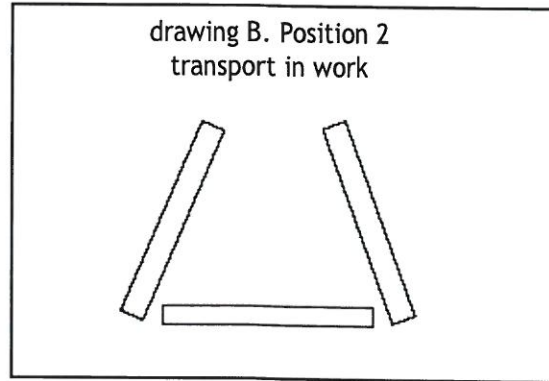
Whilst sitting on the tractor seat with the engine running, operate the single acting lift lever to raise the brushes into the raised working position.

When transporting the brush on a highway or to the site the brushes must be locked in position 1 (drawing A).



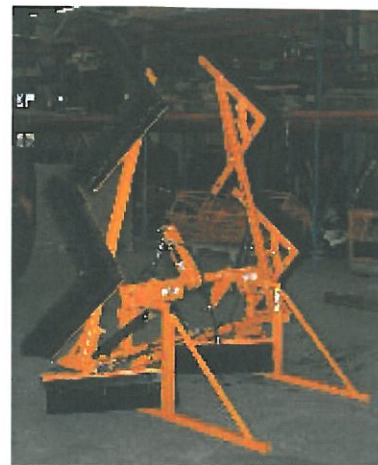
It is also advisable to lock the brushese in position 1 when storing after use to avoid the wing brushes creeping down.

When removing the FlexiBrush from the tractor,



pull the pins out of the hydraulic rams whilst supporting the brush and allow the brush to rest inwards on both sides. Drawing B position 2

Push the stands into the sockets provided on the rear of the mounting rme. Lower the hydraulics until the stands sits firmly on the ground and disconnect from the tractor 3 point linkage.



Reverse the procedure when reconnecting.

REPLACING WORN BRUSHES

If the brushes become worn in one direction the implement frame, item 1, may be unbolted (2 bolts) and turned through 180° to reverse the direction of the brushes.



LUBRICATION

Grease the grease points after use.



SPECIFICATION

Model reference	FBR/537
Overall length	0.5m
Working width	5.37m
Folded width	2.2m
Transport width	3.2m
Length	0.5m
Height in work	0.9m
Height folded	1.8m
Weight	176kg
Number of brush sections	12
Tractors requirement	16.5kw
Approx ground coverage at 6.5km/h 34,905m ² /h (a soccer pitch can be completed in approx. 10mins)	

SISIS SAFETY HINTS AND TIPS

ALWAYS

read the operating instructions carefully and understand the controls before commencing work

be extra careful when using petrol or diesel fuel. Danger - no smoking or naked lights.

use safety guards and make sure they are correctly fitted. They are supplied for your safety.

before starting work visually check machines for damage or wear to working parts

watch out for children or pedestrians and always look behind before starting to reverse.

respect powered machines and keep hands and feet clear of moving parts.

switch off the power before making adjustments or repairs

NEVER

allow any unauthorised person to handle machines in any way at any time.

lift or carry a machine whilst any parts are moving.

SISIS CONTACT TELEPHONE NUMBERS

Sales	01625 503030
Fax all departments	01625 427426
Email all departments	info@sisis.com
Website	www.sisis.com



PARTS LIST & DRAWINGS

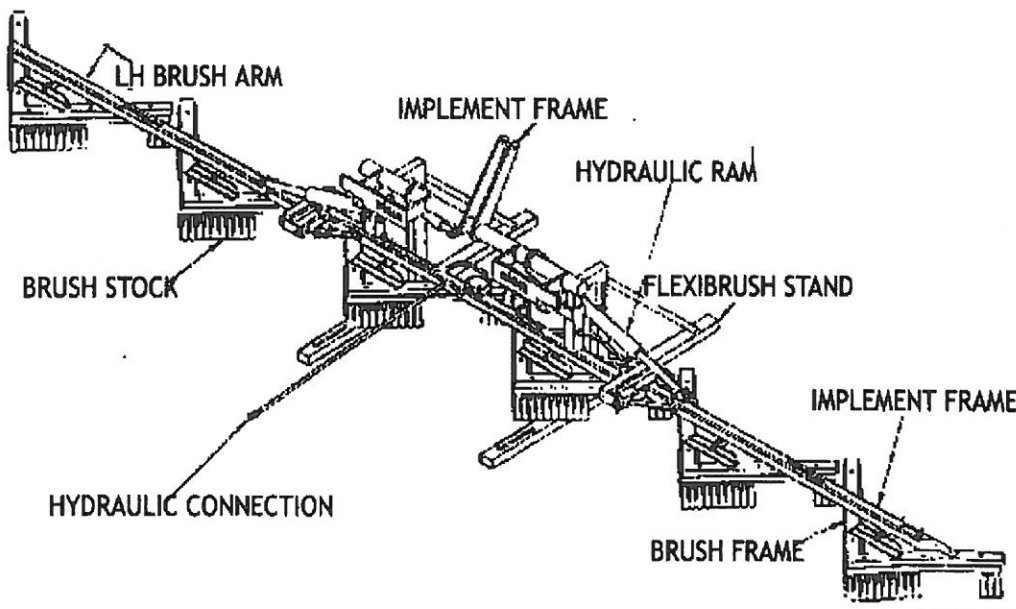
FLEXIBRUSH

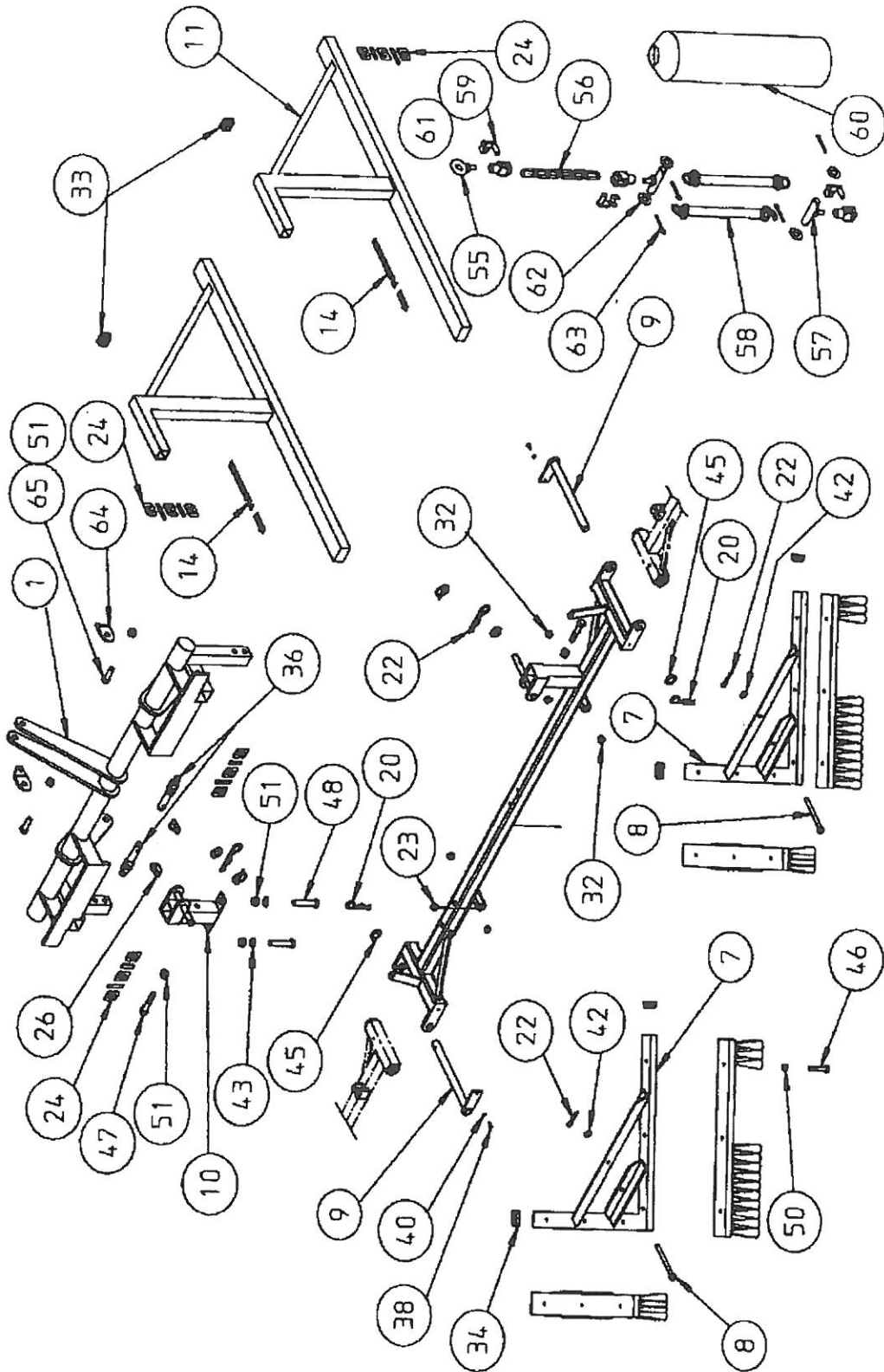
MACHINE REFERENCE	FBR/537
SERIAL NUMBER
CN CODE	9603 5000

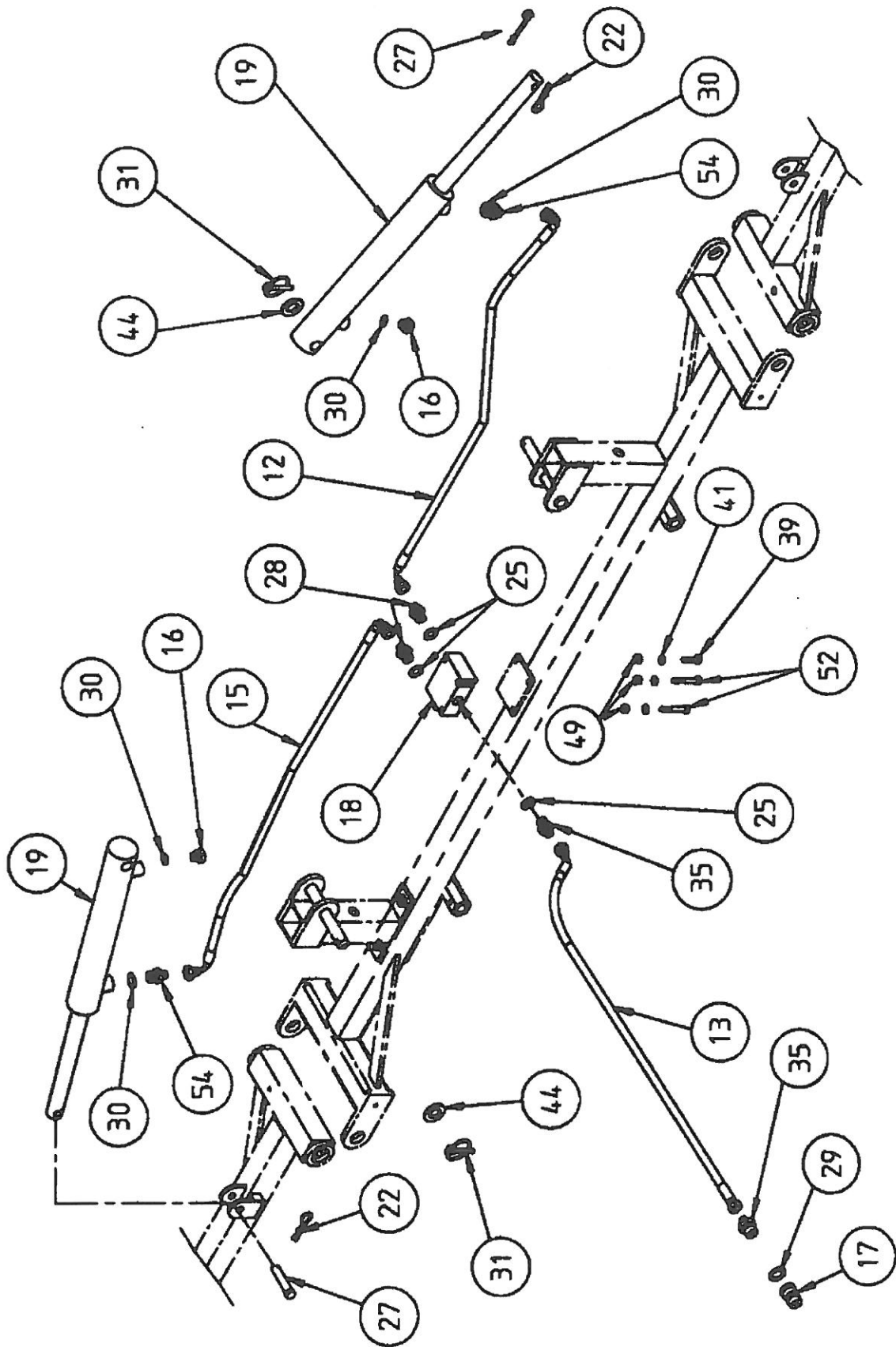
SALES/SPARES 01625 503030

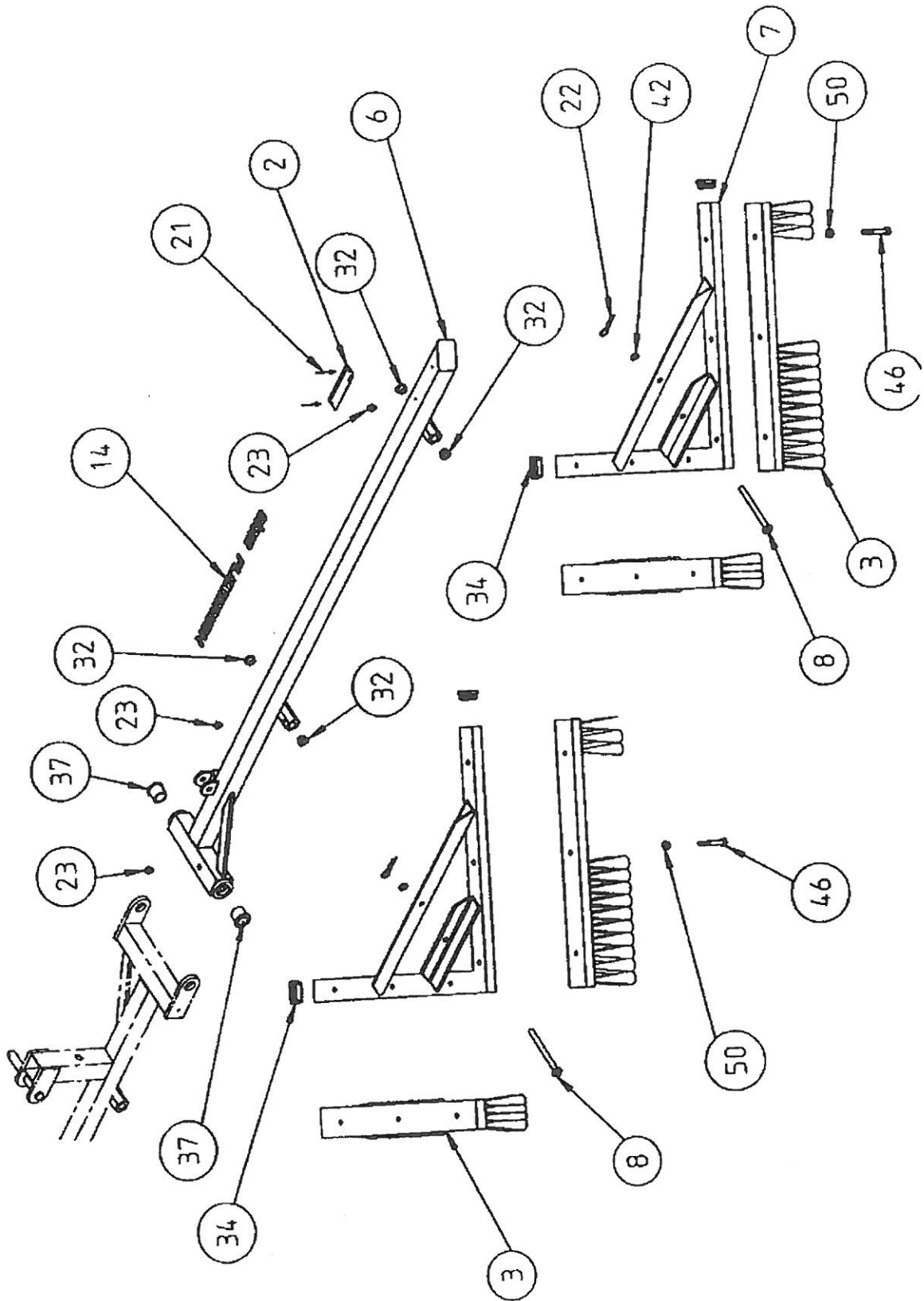
Website www.sisis.com

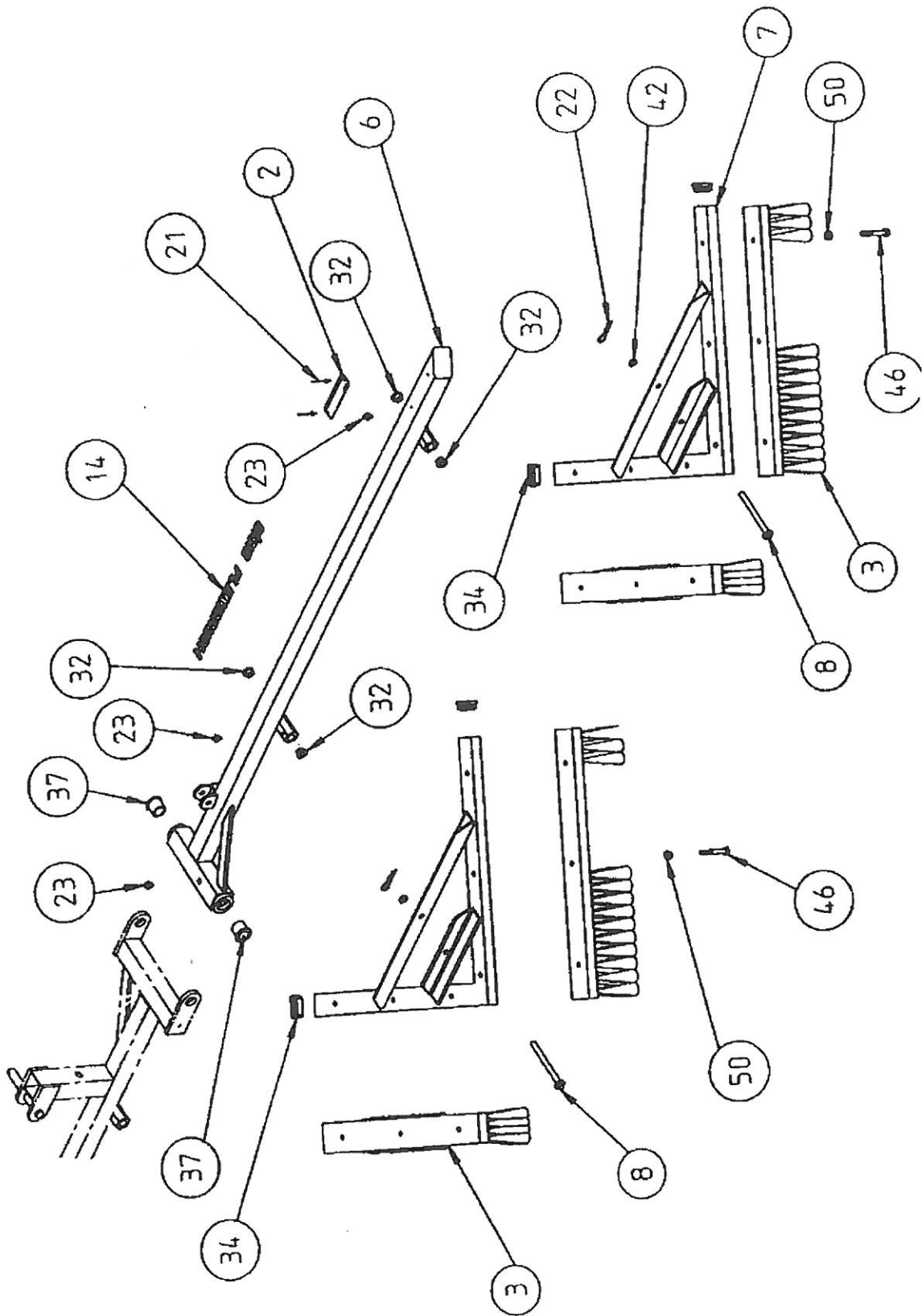
item	part	description	qty	item	part	description	qty
1	32146	implement frame	1	34	8956	insert	12
2	36000	nameplate	1	35	20187	adaptor	1
3	1520	brush	12	36	20327	pin	2
4	36618	centre frame	1	37	21852	flanged bush	4
5	36619	LH brush arm	1	38	1096	setscrew	2
6	36620	RH brush arm	1	39	1/1032	bolt	1
7	36621	brush frame	6	40	1/1061	spring washer	2
8	36622	brush frame pin	6	41	1/1071	washer	3
9	36623	arm pin	2	42	1/1076	washer	6
10	36624	RH ram bracket	1	43	1/1079	washer	2
11	36625	stand	2	44	1/1081	washer	3
12	36626	ram hose	1	45	1/1084	waser	2
13	36627	connecting hose	1	46	1/1136	bolt	36
14	36628	decal	4	47	1/1176	bolt	2
15	36631	ram hose	1	48	1/1177	bolt	2
16	36632	vent plug	2	49	1/1218	nyloc nut	3
17	SQ/20846	q/r male fitting	1	50	1/1223	nyloc nut	36
18	HUG6143	flow divider	1	51	1/1231	nyloc nut	4
19	36717	ram	2	52	1/1231	nyloc nut	6
20	1619	R clip	2	53	11163	cable tie	10
21	1871	rivet	2	54	8343	adaptor	2
22	1900	R clip	8	55	HURM217	eye bolt	2
23	1900	R clip	10	56	HUC5912	chain	2
24	4112	decal	4	57	HURM224	tee bar	4
25	8227	dowty seal	5	58	HUMB001	spring	4
26	8326	linch pin	2	59	HURM216	clevis	6
27	8342	clevis pin	2	60	HURM225	sheath	2
28	21980	restrictor	2	61	HUTRM250	pin	6
29	8385	dowty washer	1	62	1/1079	washer	8
30	8492	dowty washer	4	63	21970	split pin	8
31	8656	linch pin	2	64	36778	spring plate	2
32	8803	flanged bush	12	65	1953	setcrew	2
33	8955	insert	2				

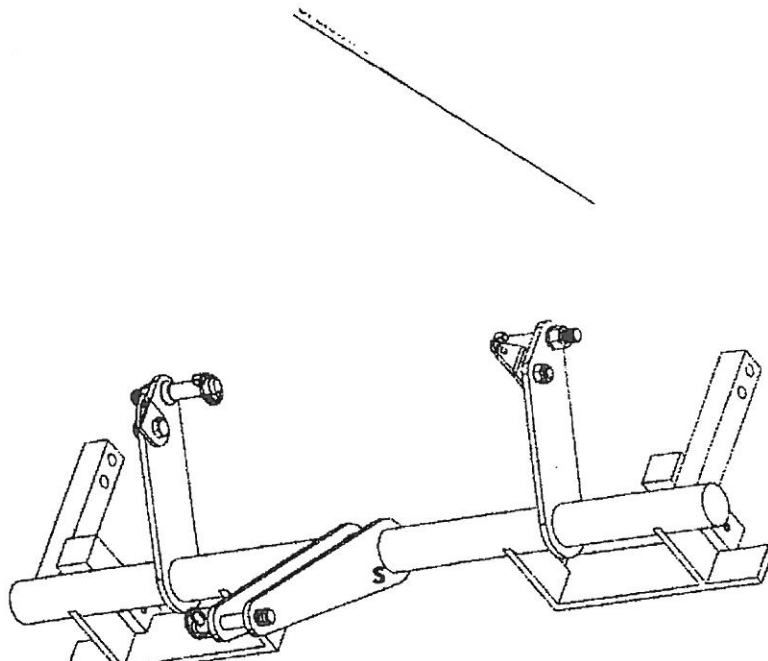










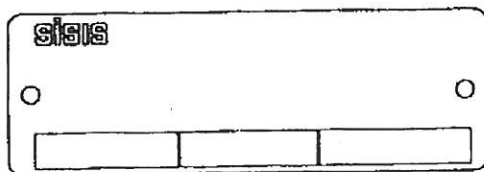


sisis

PART NUMBER 4112

sisis FLEXIBRUSH

PART NUMBER 36628



PART NUMBER 36000

