



# OPERATING INSTRUCTIONS

SiSIS Equipment – Division of Howardson Ltd  
Head Office - Howardson Works  
Ashbourne Road  
Kirk Langley  
Derby  
DE6 4NJ  
Tel: 01625 503030  
Email – [info@sisis.com](mailto:info@sisis.com)  
[www.sisis.com](http://www.sisis.com)

## SSS1000 SWEEPER

MACHINE REFERENCE	SSS1000
SERIAL NUMBER	.....
CN CODE	960 350 00
FS CODE	1079



---

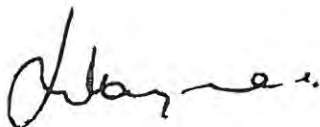
**SPARES HOTLINE 01625 503030**  
Website [www.sisis.com](http://www.sisis.com)

# EC DECLARATION OF CONFORMITY

We the undersigned SiSIS Equipment – Division of Howardson Ltd  
Head Office - Howardson Works  
Ashbourne Road  
Kirk Langley  
Derby  
DE6 4NJ  
Tel: 01625 503030  
Email – [info@sisis.com](mailto:info@sisis.com)  
[www.sisis.com](http://www.sisis.com)

Certify that the	Sweeper
Make	SISIS
Type	SSS
Series	1000
Conforms to EC Directives and amendments	2006/42/EC
Standard	BS7370

**This certificate applies only to NEW equipment supplied  
by SISIS or our authorised dealer**



J.W. Hargreaves  
Director

Certificate Number  
CEFS1079

We want you to obtain the best performance from this machine. If after reading the following instructions you have any problems, please contact SISIS or your local SISIS Territory Manager or SISIS Dealer.

The SISIS Synthetic Surface Sweeper is designed to pick up surface debris whilst lifting the pile and separating the sand/rubber crumb infill material.

The sweeper may also be used with the hopper removed to stand the pile up and redistribute the surface infill material.

### ATTACHMENT

The Sweeper is attached to the towing vehicle by the ball hitch or a jaw or pin hitch. The top link (item 90) is then adjusted to suit the height of the drawbar and to keep the sweeper parallel to the ground.



The brush height is then adjusted with the hand wheel (item 23) to suit the pile or surface. It is not advisable to set the brush bristles hard on to



the surface as this will cause premature wear of the bristles.

The brush (item 63) is adjustable to allow for brush wear. This is adjusted by loosening the securing bolts (item 97) and sliding the brush up or down on the slots. Again this brush should only be in light contact or just clear of the surface.



When disconnecting from the vehicle always ensure that the rear stand is down. This keeps the brush bristles clear of the surface to avoid the bristles being deformed.



If the machine is being moved between sites it is advised that the brush is taken out of drive. This is done by disconnecting the clutch drives on each wheel (item 1) Always remember to put the clutches on both sides back into drive before starting work.



When storing after work the front drawbar may be lifted and locked into an upright position to save space.



- 3 Undo bolts on brush shaft bearings and remove brush and shaft assembly

### REPLACING THE BRUSH

- 1 Remove bolt from centre of hub (item 79) on each end and withdraw wheel and assembly



- 2 Remove, 3 off, dome nut from plastic cover and withdraw cover from each side



- 4 Remove gear from one end of brush shaft. Remove brush. Fit new brush ensuring bristles are correct rotation.





# PARTS LIST & DRAWINGS

## SSS1000 SWEEPER

MACHINE REFERENCE	SSS1000
SERIAL NUMBER	.....
CN CODE	960 350 00
FS CODE	1079

---

SPARES HOTLINE 01625 503030

Website [www.sisis.com](http://www.sisis.com)



5 Reverse above to re-assemble.

**SPECIFICATION**

Overall width	1.56m
Working width	1.00m
Length	0.87m
Length (inc. drawbar)	1.80m
Height	0.39m
Height (with towbar raised for storage)	1.30m
Weight	112kg
Hopper Capacity	0.11m <sup>3</sup>

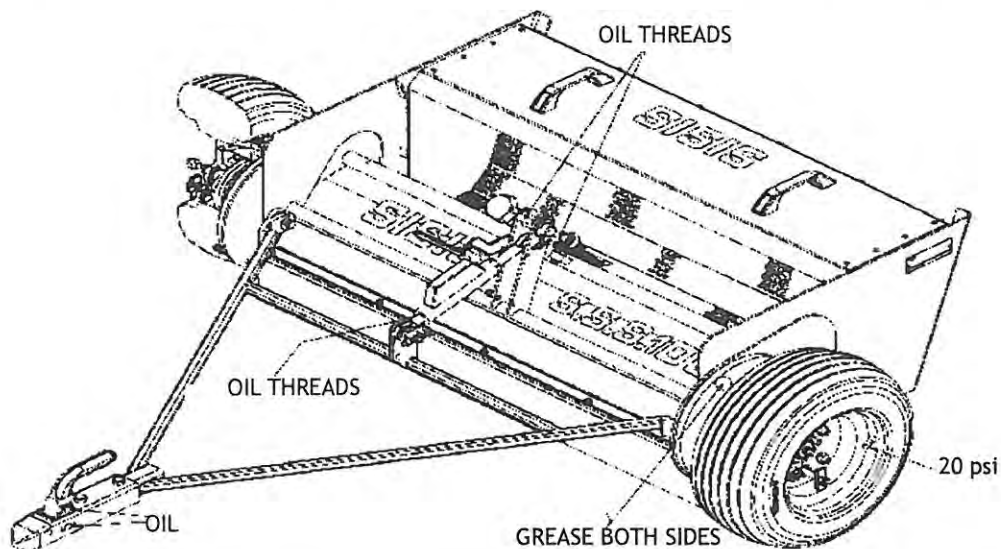
**MAINTENANCE and LUBRICATION**

Check tyre pressure - 20psi

Oil thread on height adjustment screw

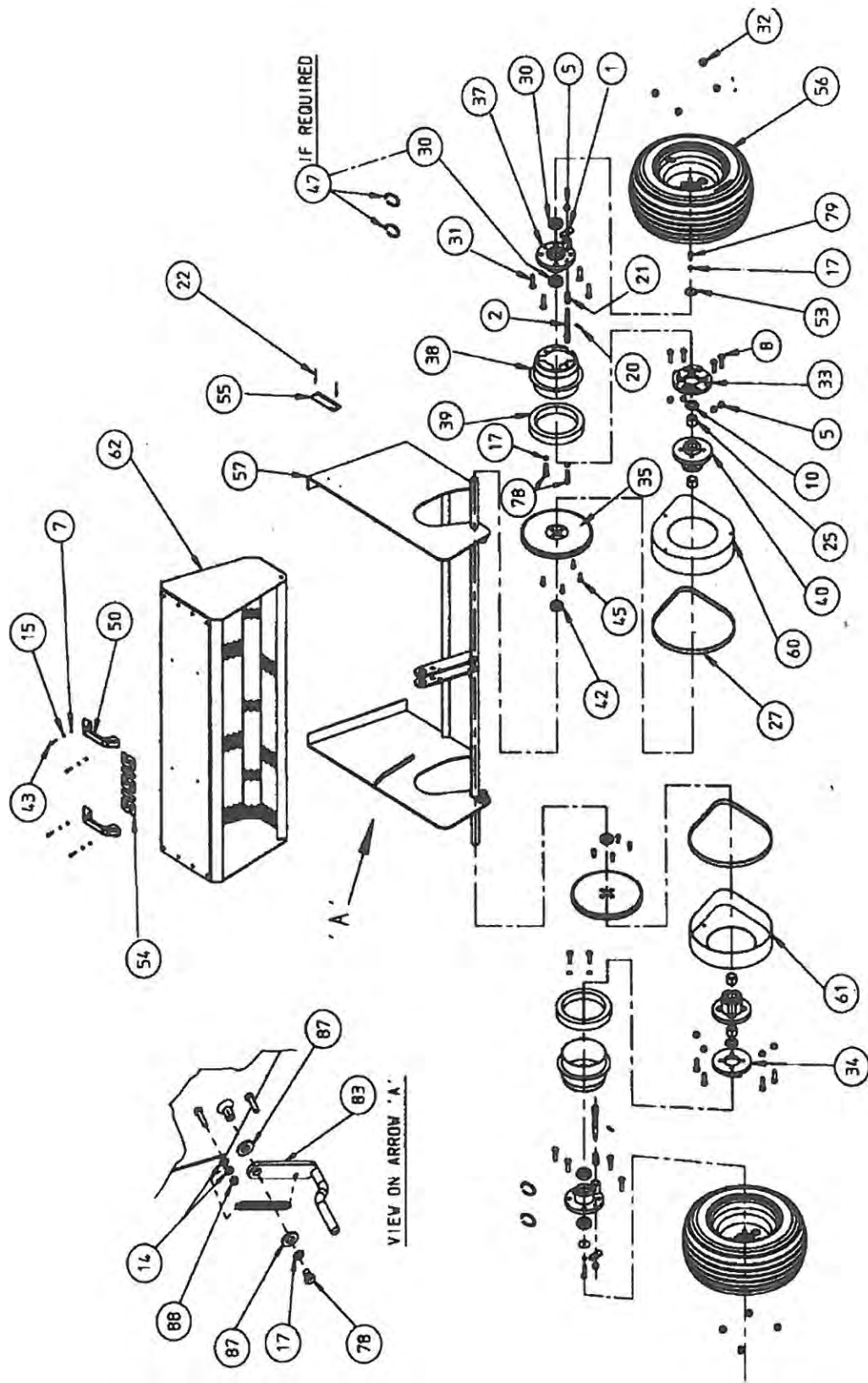
Grease gears through top of guard

Oil thread on brush adjuster screw



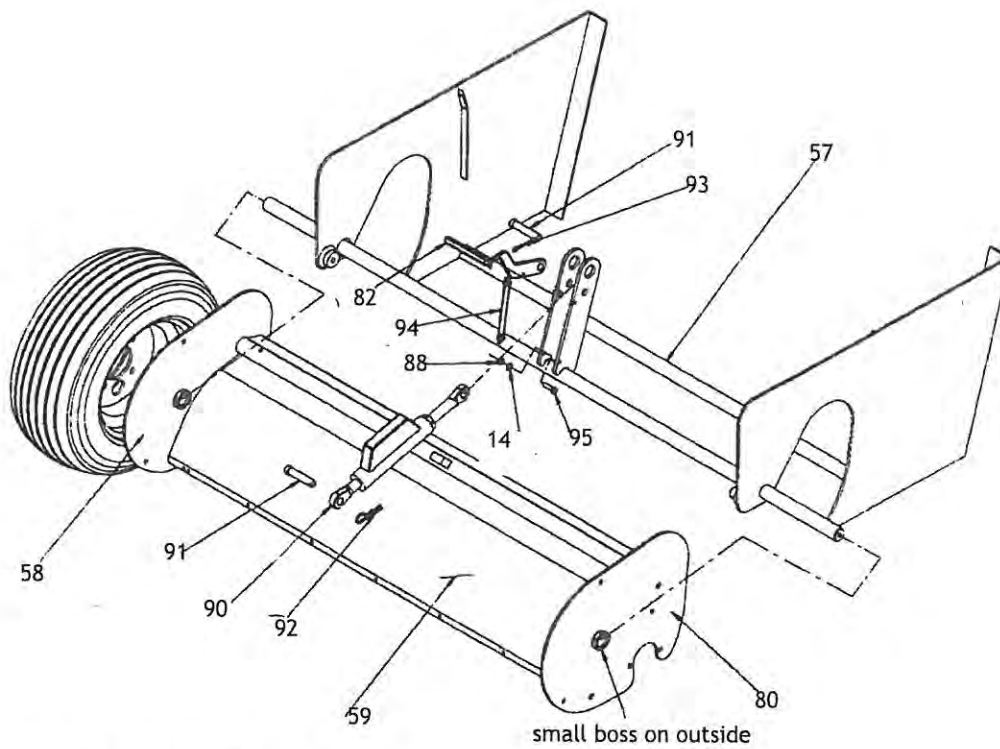
<i>item</i>	<i>part</i>	<i>description</i>	<i>qty</i>	<i>item</i>	<i>part</i>	<i>description</i>	<i>qty</i>
1	1/5223	pin lever	2	60	37033	LH guard	1
2	1/5222	drive pin	2	61	37034	RH guard	1
3	1/1228	nyloc nut	4	62	37133	hopper	1
4	1/1227	half nut	2	63	37036	back brush	1
5	1/1223	nyloc nut	13	64	37037	adjusting rod	1
6	1/1220	nyloc nut	4	65	37038	brush	1
7	1/1217	nyloc nut	4	66	37039	pivot pin	1
8	1/1120	bolt	8	67	37040	draw bar	1
9	1/1117	setscrew	2				
10	1/1084	HP washer	4				
				70	37043	shaft	1
				71	37044	guard stud	6
13	1/1072	LP washer	6	72	37045	SISIS decal	1
14	1/1071	LP washer	36	73	37046	SSS1000 decal	1
15	1/1070	LP washer	4				
16	1/1063	spring washer	6				
17	1/1062	spring washer	15				
				77	8123	mud washer	2
19	1/1039	setscrew	6	78	1/1671	setscrew	5
20	1398	seloc pin	2	79	1/1647	setscrew	2
21	1800	spring	2	80	37131	LH outer frame side	1
22	1871	pop rivet	2	81	37132	spacer	2
23	22135	hand wheel	1	82	37136	drawbar latch	1
24	1933	square key	2	83	37137	stand	1
25	1955	oilite bush	4	84	1792	spring	1
26	3051	square hole washer	2	85	21540	ball hitch	1
27	3171	rubber strip	2m	86	1/1160	bolt	2
28	4121	warning label	1	87	1/1076	washer	2
29	5622	split pin	2	88	1/1218	nyloc nut	40
30	5623	bearing	4	89	22026	but head screw	34
31	7007	wheel stud	8	90	8608	turn buckle	1
32	7008	wheel nut	8	91	8342	pin	2
33	7044	LH ratchet	1	92	1900	R clip	1
34	7045	RH ratchet	1	93	21295	split pin	1
35	7319	gear wheel	2	94	8059	spring	1
36	7338	pinion	2	95	1/1097	setscrew	1
37	7340	wheel hub	2	96	37142	brush plate	1
38	37080	ratchet cover	2	97	20446	countersunk screw	7
39	7343	felt ring	2				
40	7725	wheel hub	2				
41	8032	bearing	2				
42	8047	thrust bearing	2				
43	8228	cheese head screw	4				
45	8246	cap hed screw	8				
46	8638	dome nut	6				
47	8190	internal circlip (if required)	4				
48	8757	cap head screw	4				
49	20096	cap head screw	5				
50	20491	handle	2				
51	22121	rod end	1				
53	35835	shaft end washer	4				
54	35993	SISIS decal	1				
55	36000	name plate	1				
56	37024	wheel mod	2				
57	37030	inner frame	1				
58	37031	RH outer frame side	1				
59	37032	curved inner frame	1				

ASSEMBLY

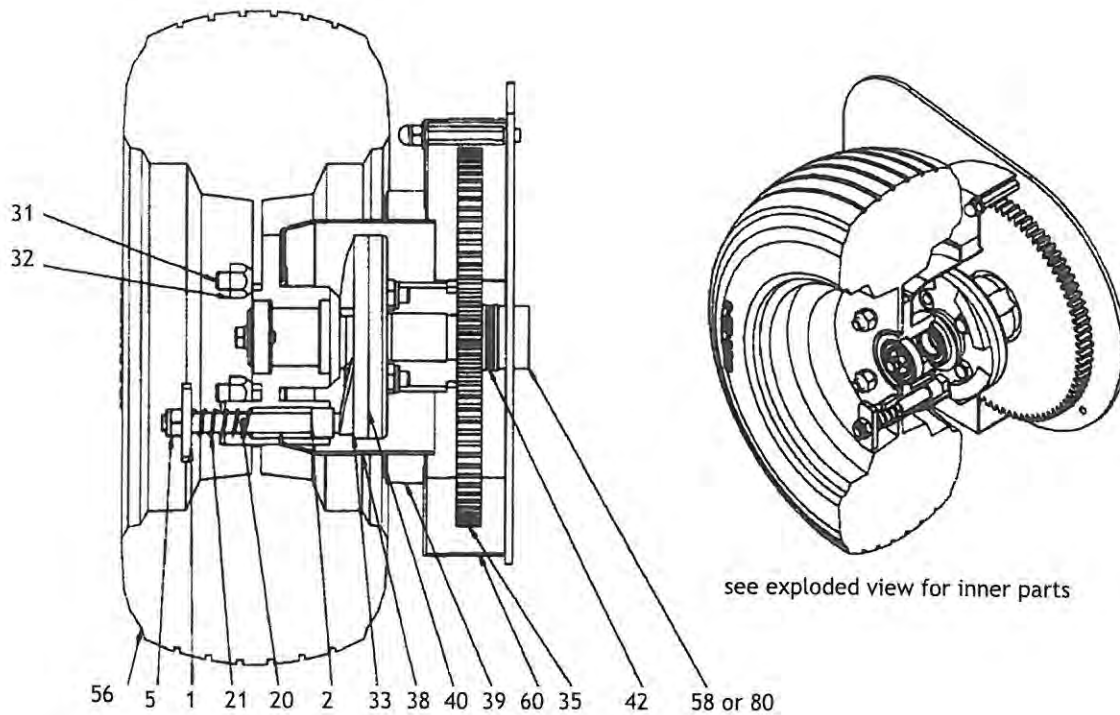




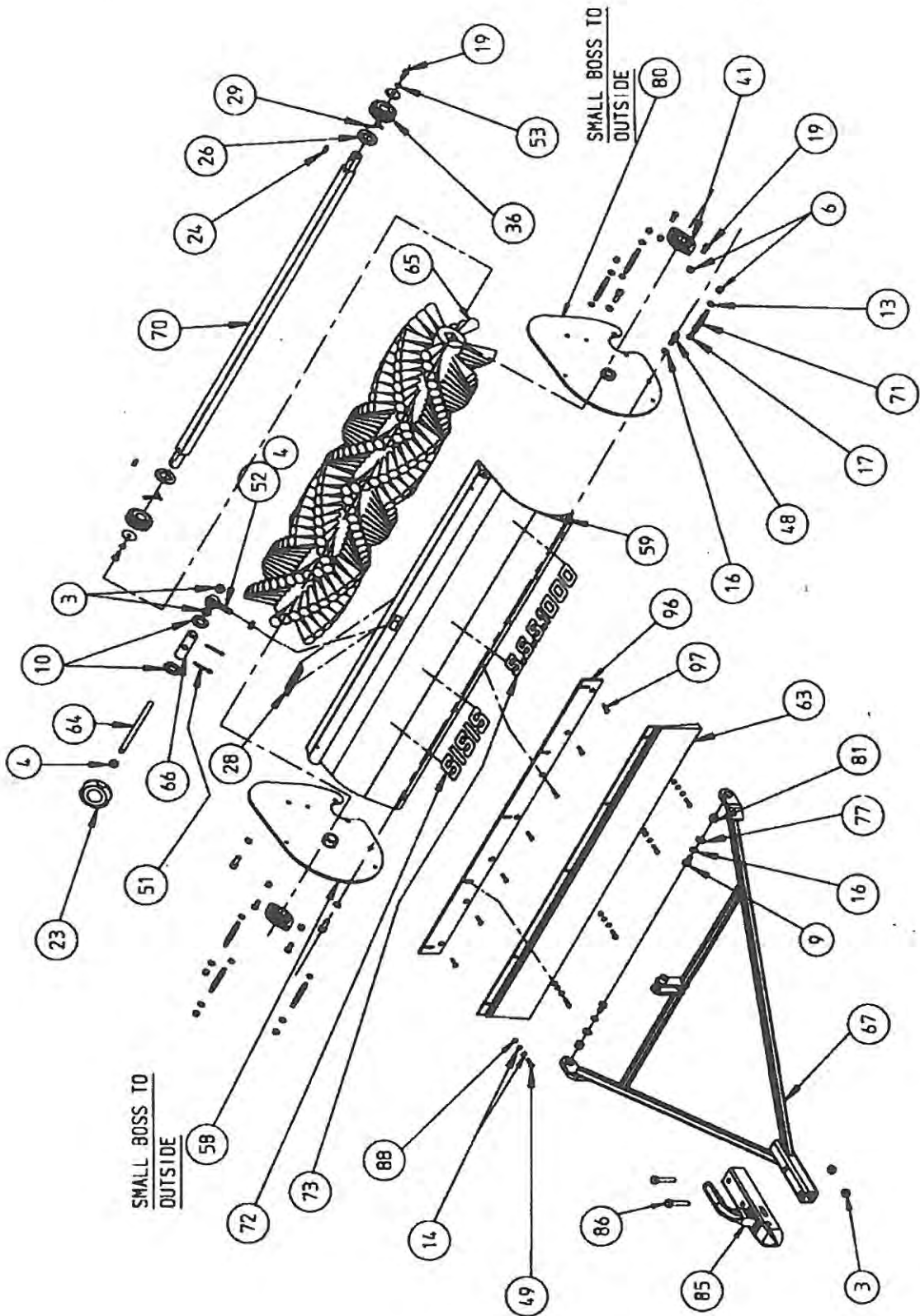
ASSEMBLY



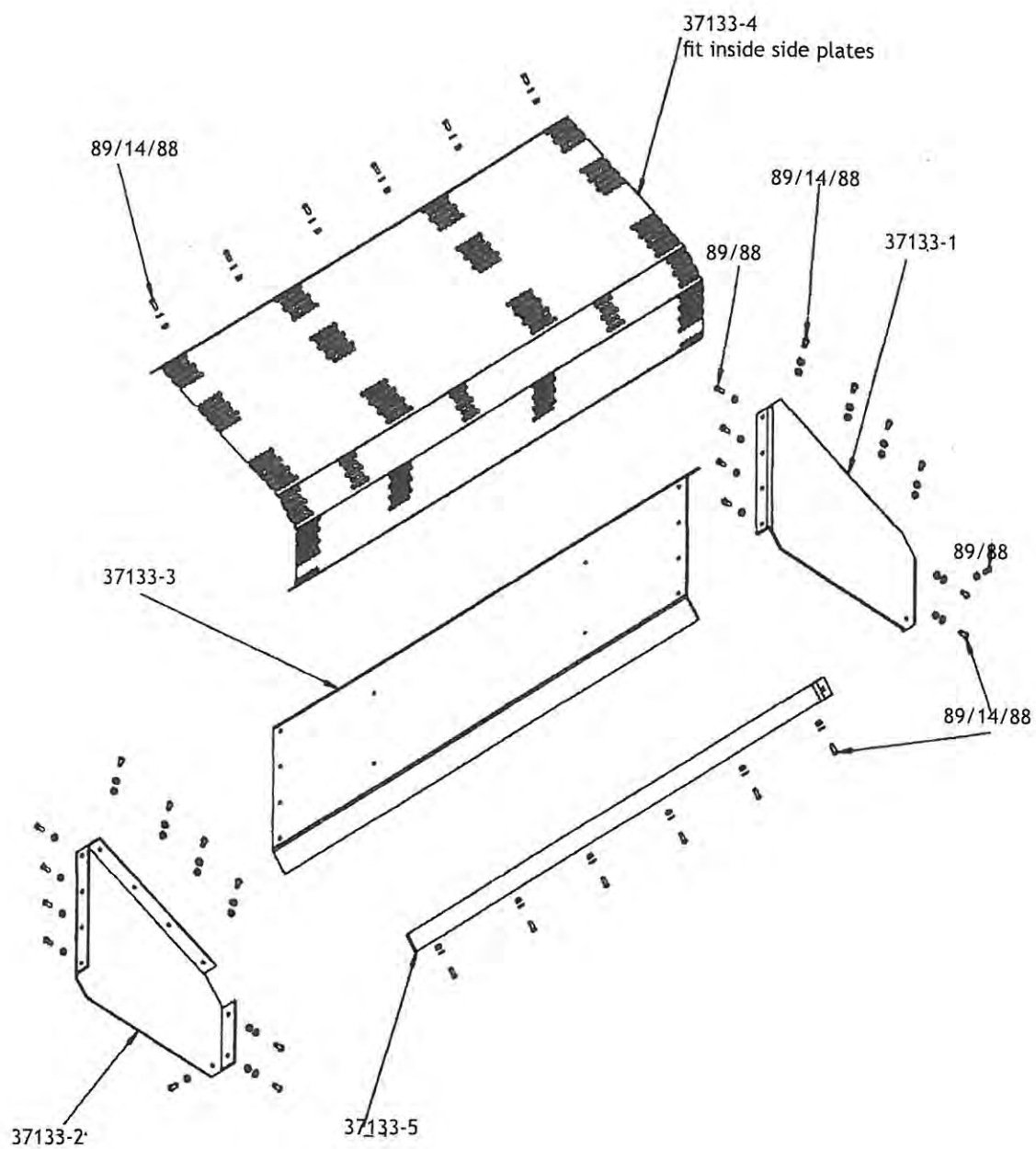
WHEEL RATCHET ASSEMBLY



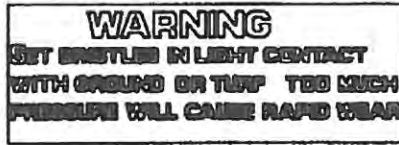
ASSEMBLY



HOPPER



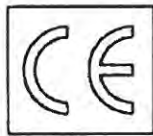
DECALS



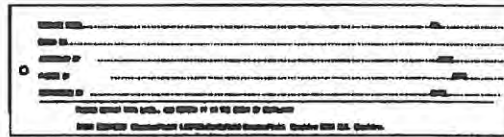
PART No 4121



PART No 35993



PART No 33941



PART No 1493



PART No 37045



PART No 37046